

everything starts with
IMAGINATION

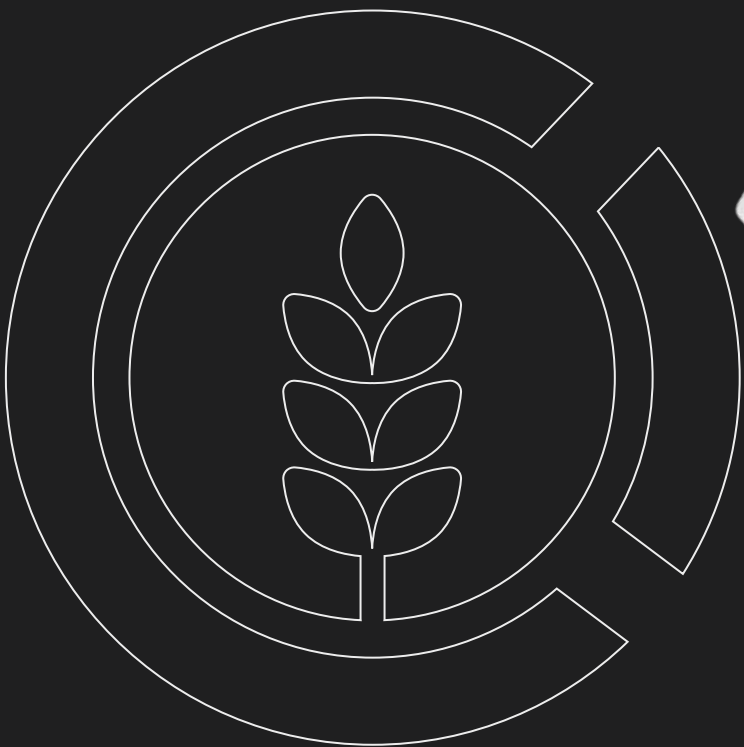
Elevator Bucket
Elevator Belts
Bucket Bolts

www.millpart.com.tr



Eco Prime - Premium - Exclusive

The best
for the best performance





As Millpart, we are striving for new products and the next big innovation. "Diversity" means more than just a word to us: it reveals who we are. With every work we do, we are trying to make technology more practical, helpful and valuable for our customers.

Aiming to be one of the world leaders particularly in the production of elevator buckets, Millpart Elevator Buckets was established with a vision aware that the way to sustainable growth in the Turkish machinery and food industry is investment. Our company is constantly converting its income to investment with the moves reasonable according to the industrial and technological developments in its field, started to be known as one of the leading brands in Turkey, offers the best service to our customers as a high-quality, fast and reliable company in the industry.

With the aim of producing better quality products and always raising the bar and producing better quality products and always raising the bar, "Millpart Company" has aimed to grow by producing and working since the first day it was founded in order to contribute to the economy of the country.



Excellent Performance

In the Most Challenging Conditions

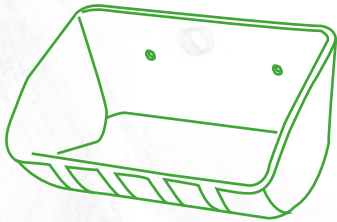
Would you like to get 3 free test products?

For free shipping anywhere in the world, just e-mail your information.

info@millpart.com.tr



everything starts with
IMAGINATION



Eco Prime.

PE Polymer - Impact Resistant Polyethylene



Eco Prime.

PE - Impact Resistant Polyethylene

■ Unbreakable Strong Structure

Raw material reinforced against the strongest impacts and high performance.

■ Economic and Healthful

Eco Prime elevator buckets are being produced from food-grade engineering plastic.

■ Ready for Challenging Conditions

It is ready for changeable weather conditions and all impacts that may occur during transportation.



New Generation **ECONOMIC** Elevator Bucket

everything starts with
IMAGINATION





Eco Prime.

PE Polymer - Impact Resistant Polyethylene

Always maximum resistance against hard and sudden impacts at high speeds. Thanks to its unbreakable structure, it extends your replacement times and reduces your maintenance costs. Eco Prime buckets create less friction coefficient thanks to friction channels and assist engines by reducing energy loss.

MAXIMUM PROTECTION *Against Strongest Impacts*

- Hardness
- Medium Frictional Resistance
- Nonbending
- Flame Retardant
- Antistatic
- Weather Resistant

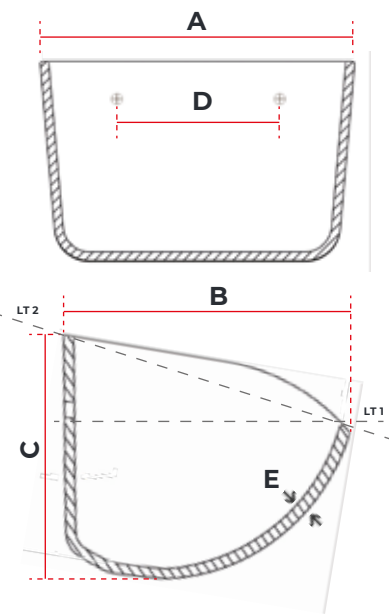


New Generation Economic Elevator Bucket

Our Eco Prime buckets, which are produced particularly against breaking, are an economic engineering plastic product enriched with special additives against impacts.

Eco Prime.

PE Polymer - Impact Resistant Polyethylene



Dimensions are **out-to-out**.

Mounting hole intervals can be adjusted as per your request.

Size, Weight and Capacity May Show Tolerance of **7%**.

Product Code	Millimeters	Inc.	Bucket Size Mm.			Hole Intervals		Thickness & Weight		Capacity	
			A	B	C	D	E	Gr	LT1 - Wh	LT2 - Wh	
ML-10X	100x90	4x3	100	90	60	2	50	4	0,040	0,25	0,30
ML-12X	120x110	5x4	120	110	65	2	60	4	0,130	0,40	0,45
ML-14X	140x120	5.5x4	145	120	100	2	83	5	0,240	1,10	1,25
ML-16X	160x140	6x5	170	140	110	2	100	5	0,280	1,25	1,40
ML-18X	180x140	7x5	190	140	115	2	88	5	0,330	1,40	1,75
ML-20X	200x150	8x5	205	150	120	2	130	5	0,385	1,60	2,05
ML-22X	220x160	8x6	225	160	120	2	120	6	0,470	1,85	2,28
ML-23X	240x140	9x5	240	140	130	3	92	7	0,565	1,90	2,20
ML-24X	240x180	9x7	240	180	135	2	115	6	0,550	2,40	2,80
ML-26X	260x180	10x7	260	180	135	3	78	7	0,700	2,50	3,28
ML-28X	280x200	11x7	280	200	155	3	88	7	0,920	3,35	4,43
ML-30X	300x175	12x7	305	175	145	4	80	7,5	0,910	3,25	4,15
ML-31X	300x200	12x8	300	205	150	3	88	7	0,955	3,50	4,80
ML-32X	320x200	12.5x8	320	205	160	3	98	7,5	1,065	3,65	5,06
ML-33X	330x215	13x8	335	215	225	4	92	10	1,625	6,25	8,69
ML-34X	340x210	13x8	340	210	150	4	90	8	1,250	3,85	5,30
ML-35X	360x220	14x8	360	220	230	5	75	10	1,720	7,00	9,15
ML-37X	370x190	15x7	375	190	180	4	90	10	1,520	5,00	7,00
ML-38X	380x210	15x8	375	210	215	5	75	10	2,000	6,50	8,50
ML-40X	420x215	16x8	420	215	225	6	72	10	2,100	7,00	9,55

everything starts with
IMAGINATION



Premium.

HDPE - High Density Polyethylene



Premium.

HDPE - High Density Polyethylene

Impact Resistance

Unbreakable structure reinforced at maximum level against part impacts that may occur in high speed elevators.

Abrasion Resistance

Thanks to its high friction resistance under favour of its hardened structure and slippery surface, it is more resistant to abrasion.

Tensile strength

Although hardened against abrasion, it also provides high tensile strength thanks to its 70% form elasticity.



Always
HIGH
Performance

everything starts with
IMAGINATION





Premium.

HDPE - High Density Polyethylene

High Density Polyethylene and hardening additives are produced with injection technology with low speed shaft, providing maximum compression and density. In this way, it creates a more durable chain against mouth melts caused by friction. It brings together contrasting properties such as hardness and flexibility during the production phase.

Unbreakable Structure, Maximum
ABRASION RESISTANCE
High Standard

- Abrasion Resistance
- Nonbending
- Hardness
- Tensile strength
- Flame Retardant
- Antistatic
- Chemical Resistance
- Weather Resistant

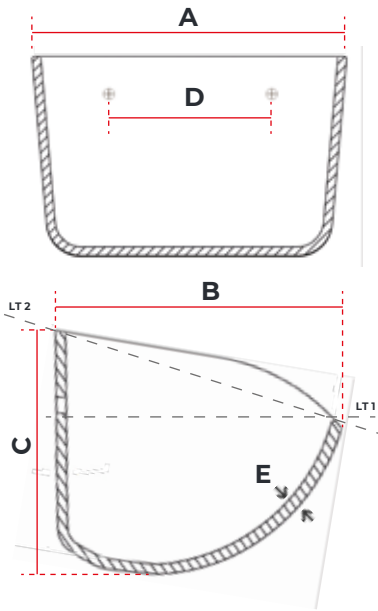


Premium Elevator Buckets

are reinforced with special engineering plastics against friction-induced mouth melts and high impacts.

Premium.

HDPE - High Density Polyethylene



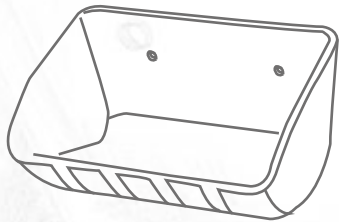
Product Code	Milimeters	Inc.	Bucket Size Mm.			Hole Intervals		Thickness & Weight		Capacity	
			A	B	C	D	E	Gr	LT1 - Wh	LT2 - Wh	
ML-10P	100x90	4x3	100	90	60	2	50	4	0,040	0,25	0,30
ML-12P	120x110	5x4	120	110	65	2	60	4	0,130	0,40	0,45
ML-14P	140x120	5.5x4	145	120	100	2	83	5	0,240	1,10	1,25
ML-16P	160x140	6x5	170	140	110	2	100	5	0,280	1,25	1,40
ML-18P	180x140	7x5	190	140	115	2	88	5	0,330	1,40	1,75
ML-20P	200x150	8x5	205	150	120	2	130	5	0,385	1,60	2,05
ML-22P	220x160	8x6	225	160	120	2	120	6	0,470	1,85	2,28
ML-23P	240x140	9x5	240	140	130	3	92	7	0,565	1,90	2,20
ML-24P	240x180	9x7	240	180	135	2	115	6	0,550	2,40	2,80
ML-26P	260x180	10x7	260	180	135	3	78	7	0,700	2,50	3,28
ML-28P	280x200	11x7	280	200	155	3	88	7	0,920	3,35	4,43
ML-30P	300x175	12x7	305	175	145	4	80	7,5	0,910	3,25	4,15
ML-31P	300x200	12x8	300	205	150	3	88	7	0,955	3,50	4,80
ML-32P	320x200	12.5x8	320	205	160	3	98	7,5	1,065	3,65	5,06
ML-33P	330x215	13x8	335	215	225	4	92	10	1,625	6,25	8,69
ML-34P	340x210	13x8	340	210	150	4	90	8	1,250	3,85	5,30
ML-35P	360x220	14x8	360	220	230	5	75	10	1,720	7,00	9,15
ML-37P	370x190	15x7	375	190	180	4	90	10	1,520	5,00	7,00
ML-38P	380x210	15x8	375	210	215	5	75	10	2,000	6,50	8,50
ML-40P	420x215	16x8	420	215	225	6	72	10	2,100	7,00	9,55

Dimensions are **out-to-out**.

Mounting hole intervals can be adjusted as per your request.

Size, Weight and Capacity May Show Tolerance of **7%**.

everything starts with
IMAGINATION



Exclusive.

PA NYLON - High Hardness Impact
Resistant Engineering Plastic

Exclusive.

PA NYLON - High Hardness
Impact Resistant Engineering Plastic

■ Against the Strongest Impacts

Exclusive elevator buckets are developed for maximum resistance to breaking. It can absorb all high speed impacts and eliminates the breaking.

■ High Performance in All Products

Feed, Wheat, Corn, Barley, Pasta and others
Exclusive elevator buckets are produced for high performance and durability in all of them.

■ Greater Volume, Less Waste

The elevator buckets produced by Millpart are durable and designed paying regard to high benefit and efficiency. We are always trying to find new ways to make stronger products that can be less harmful to the environment and nature with materials made of quality engineering plastics.



High
Performance in
All Products

everything starts with
IMAGINATION





Exclusive.

PA NYLON - High Hardness
Impact Resistant Engineering Plastic

Exclusive Elevator Buckets are being produced from special engineering plastics with high impact resistance and high friction coefficient. Exclusive buckets are being produced completely with engineering plastics for high performance. Exclusive Buckets, which show maximum performance particularly about friction-induced mouth melting, can also achieve the best results with their curved corners, lubricant channels and unique design.

MAXIMUM ENDURANCE LOW MAINTENANCE COST

Less Maintenance, **More Transport** |

You will notice the changes in the costs due to elevator bucket replacements experienced due to mouth melts and breakings, worn out belts due to replacements, costs due to elevator halts and capacity reduction, labor and energy costs.

More Durable Than Metal, **But Lighter** |

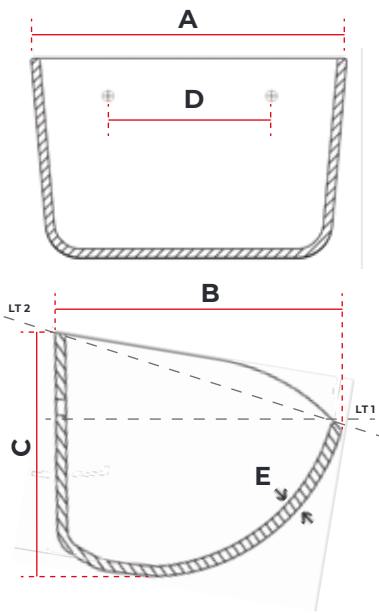
Exclusive Elevator Buckets are more durable and longer lasting than elevator buckets made of pressed sheet metal. You can achieve energy savings and high capacity increase up to 80% with lightweight Exclusive Buckets.

NO MORE capacity decreases due to mouth melts

Our Polyamide - Nylon Exclusive Buckets are produced against friction-induced melting with engineering plastics with high friction coefficient reinforced with special additives.

Exclusive.

PA NYLON - High Hardness Impact Resistant Engineering Plastic



Dimensions are **out-to-out**.

Mounting hole intervals can be adjusted as per your request.

Size, Weight and Capacity May Show Tolerance of 7%.

Product Code	Millimeters	Inc.	Bucket Size Mm.			Hole Intervals		Thickness & Weight		Capacity	
			A	B	C	D	E	Gr	LTI - Wh	LT2 - Wh	
ML-10E	100x90	4x3	100	90	60	2	50	4	0,070	0,25	0,30
ML-12E	120x110	5x4	120	110	65	2	60	4	0,110	0,40	0,45
ML-14E	140x120	5.5x4	145	120	100	2	83	5	0,285	1,10	1,25
ML-16E	160x140	6x5	170	140	110	2	100	5	0,315	1,25	1,40
ML-18E	180x140	7x5	190	140	115	2	88	5	0,390	1,40	1,75
ML-20E	200x150	8x5	205	150	120	2	130	5	0,460	1,60	2,05
ML-22E	220x160	8x6	225	160	120	2	120	6	0,560	1,85	2,28
ML-23E	240x140	9x5	240	140	130	3	92	7	0,650	1,90	2,20
ML-24E	240x180	9x7	240	180	135	2	115	6	0,650	2,40	2,80
ML-26E	260x180	10x7	260	180	135	3	78	7	0,810	2,50	3,28
ML-28E	280x200	11x7	280	200	155	3	88	7	1,100	3,35	4,43
ML-30E	300x175	12x7	305	175	145	4	80	7,5	0,980	3,25	4,15
ML-31E	300x200	12x8	300	205	150	3	88	7	1,115	3,50	4,80
ML-32E	320x200	12.5x8	320	205	160	3	98	7,5	1,210	3,65	5,06
ML-33E	330x215	13x8	335	215	225	4	92	10	1,800	6,25	8,69
ML-34E	340x210	13x8	340	210	150	4	90	8	1,375	3,85	5,30
ML-35E	360x220	14x8	360	220	230	5	75	10	2,00	7,00	9,15
ML-37E	370x190	15x7	375	190	180	4	90	10	1,600	5,00	7,00
ML-38E	380x210	15x8	375	210	215	5	75	10	2,200	6,50	8,50
ML-40E	420x215	16x8	420	215	225	6	72	10	2,600	7,00	9,55

Millco.

Steel - Elevator Bucket Bolts

Millco elevator bolts provide smooth adhesion and maximum strength on the belt thanks to their clamping structure.

- Fracture Resistant
- Smooth Adhesion on Belt
- Fibered and Regular Nut Options

Product Code Diameter & Length

MC-01	M6 x 30
MC-02	M6 x 40
MC-03	M8 x 30
MC-04	M8 x 40
MC-05	M10 x 40
MC-06	M10 x 50

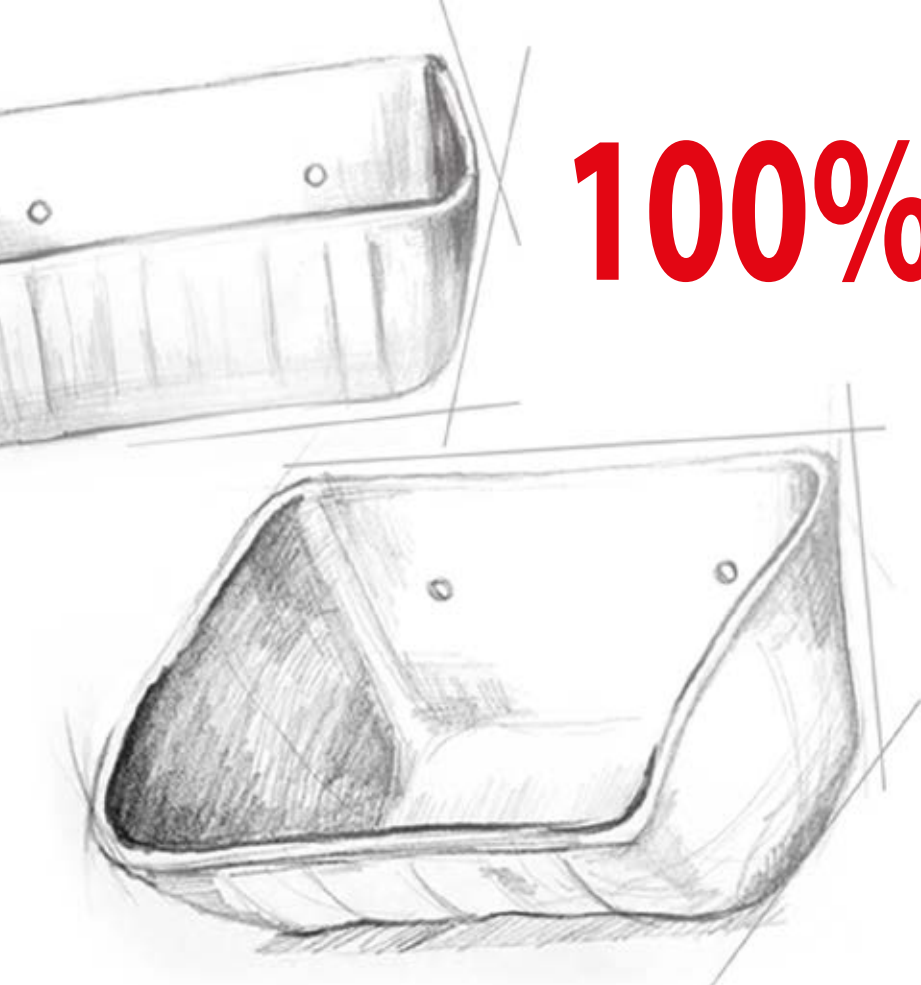


Millbelt.

Ep Fabric Cord - Elevator Belts

Flat belts produced with a special technique and on which elevator buckets are attached are called elevator belts. These belts are produced with a different system than conveyor belts. EP Cord Fabrics are calculated according to the tensile strength of the Elevator Belt and EP Cord Fabrics varies when the tensile strength increases. In addition, we provide Elevator Belts in international standards such as Oil Resistant, Heat Resistant, Antistatic Closed Edge according to their usage areas.

- Bucket can be sent drilled in accordance to mounting dimensions.
- It can be produced in any size you want ranging from 100 mm width to 1400 mm width.

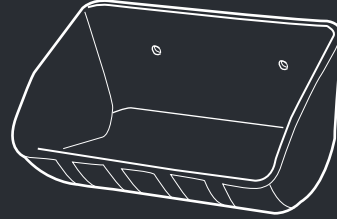


100% *Energy and
Labor Saving*



Agricultural Buckets

everything starts with
IMAGINATION



Millpart Agricultural Buckets & Spare Parts

600 Evler Mah. Örnek Sanayi Sit.1369. Sok No: 22 Bandırma,Balıkesir, TURKEY

☎ +90 266 721 26 90

☎ +90 266 721 26 89

✉ info@millpart.com.tr

www.millpart.com.tr